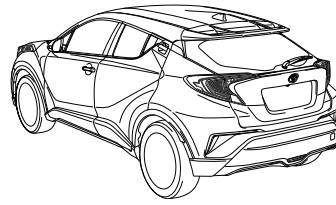
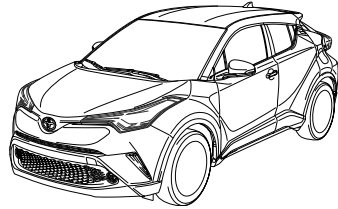


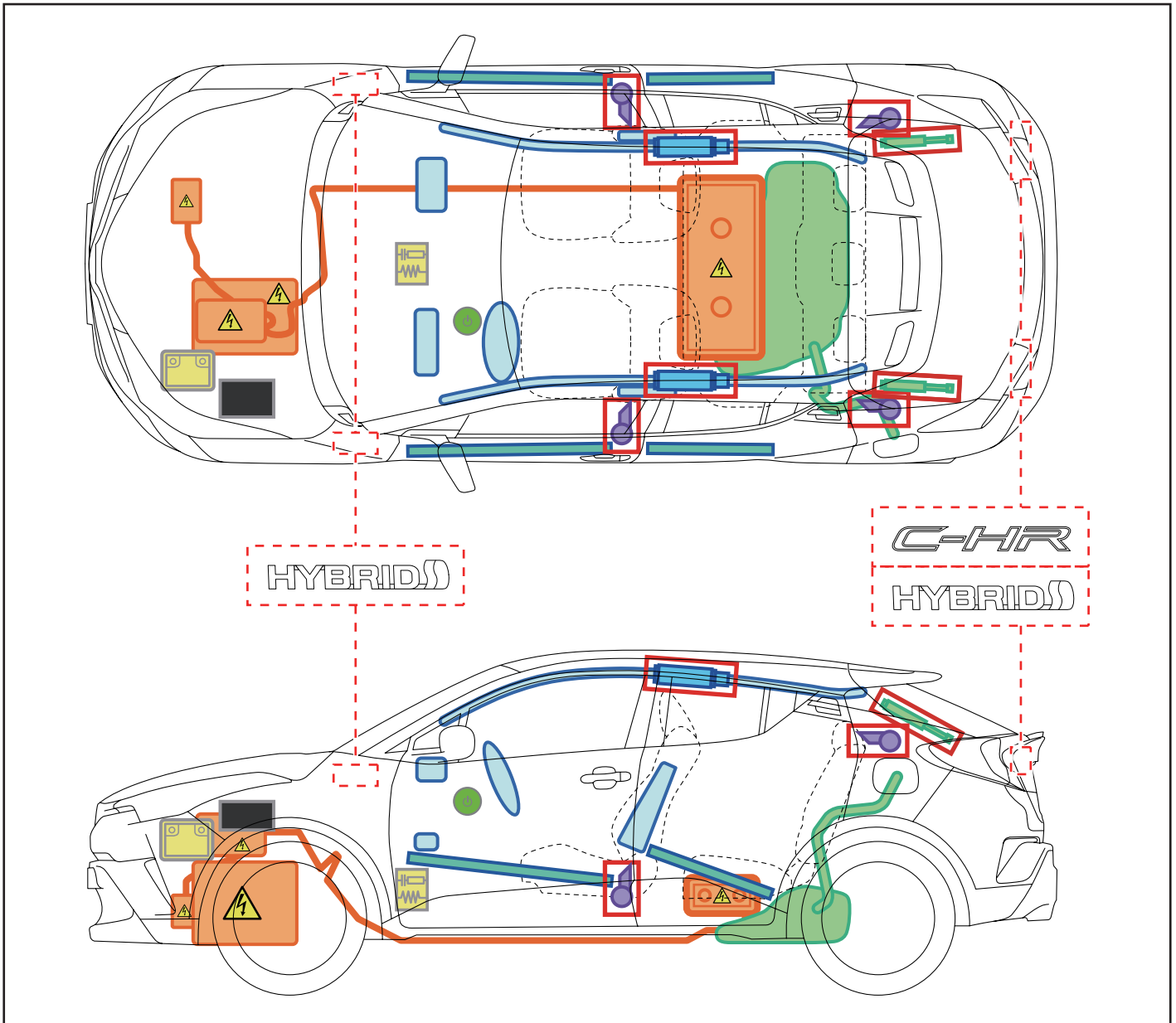
# C-HR HYBRID













LHD

2016-10

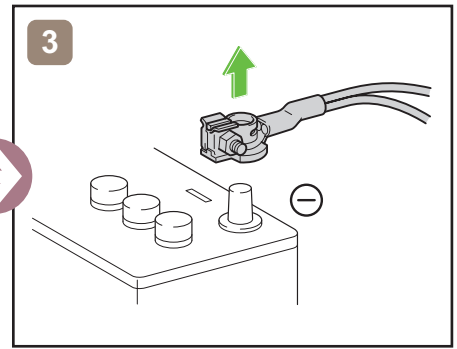
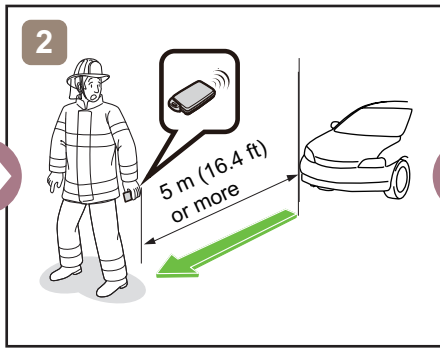
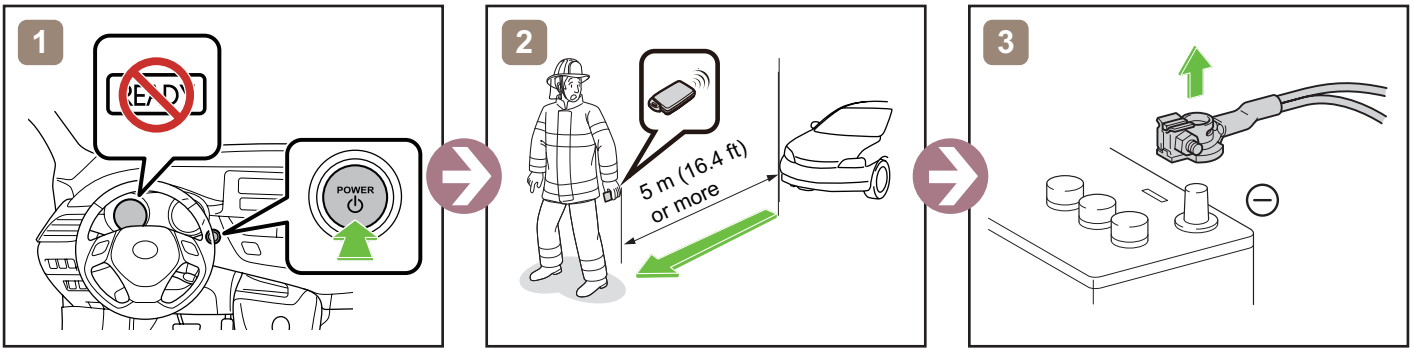


TOYOTA

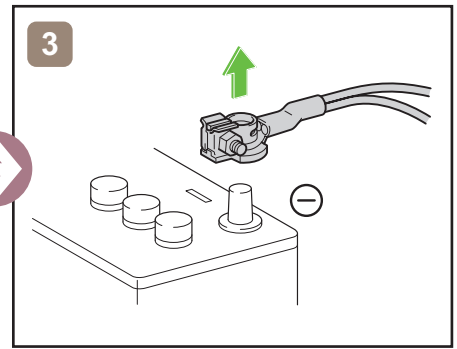
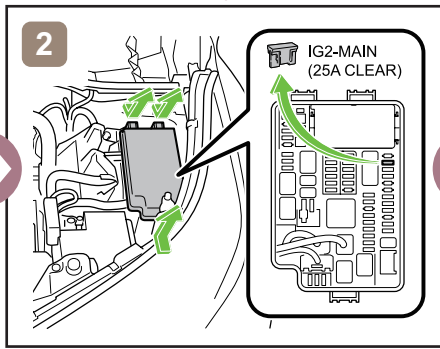
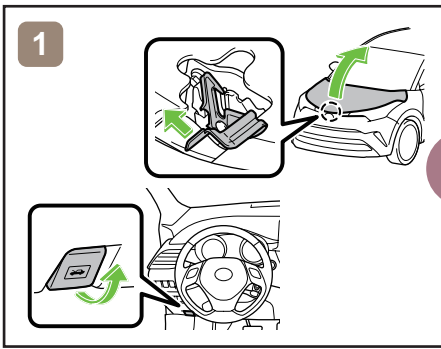


	IG/POWER SW		Fuse Box		12V Battery
	Airbag (incl. Inflator)		Inflator		High Voltage Battery
	High Voltage Components		Fuel Tank		Gas-filled Damper
	Seat Belt Pretensioner (Gas Generator)		Structural Reinforcements		Airbag Computer
-	-	-	-	-	-

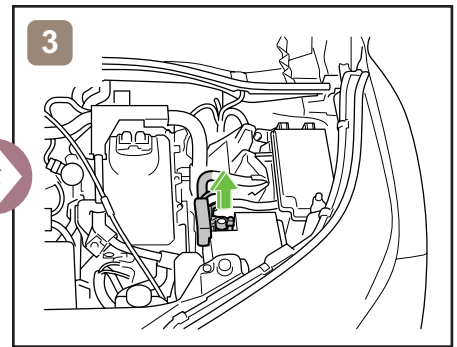
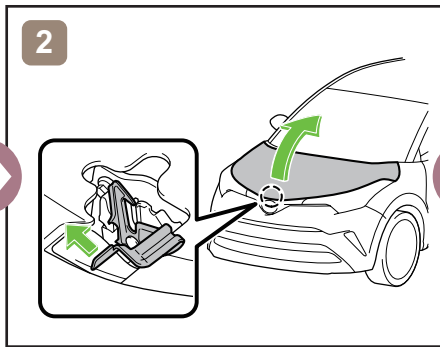
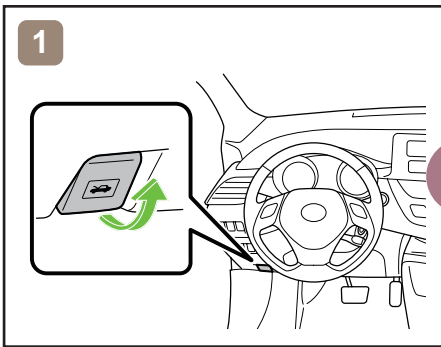
### Disable Vehicle



or



### Access to 12V Battery



### Towing Information

